

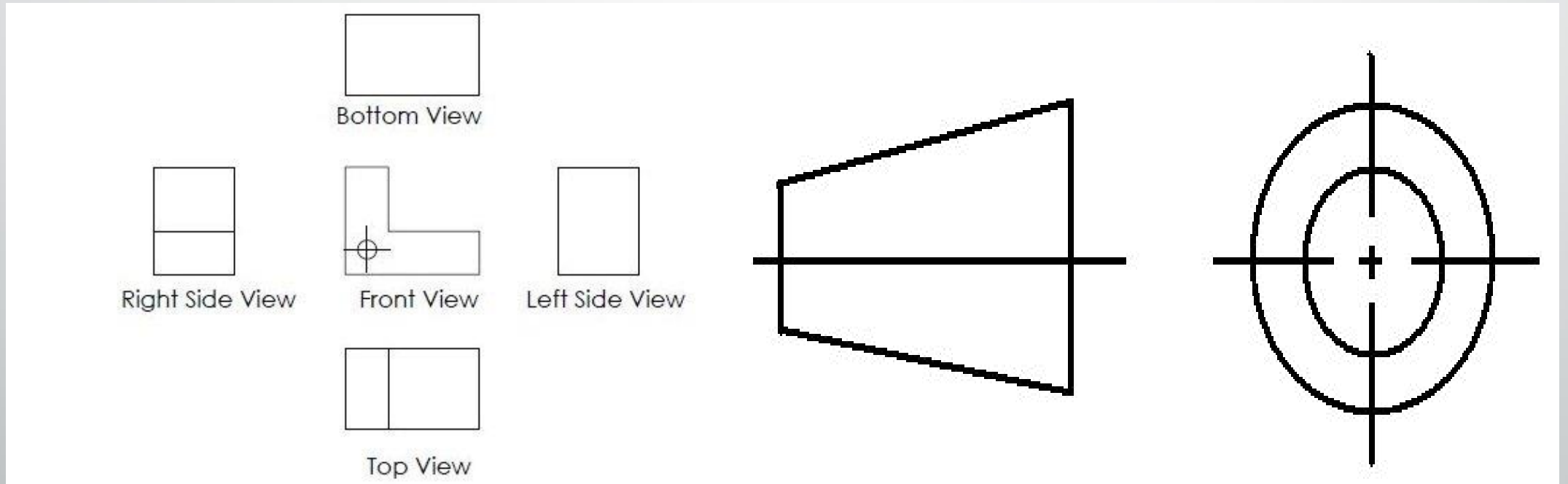


# First Angle Projection & Third Angle Projection

# What is First angle projection?

- The object is placed in the first quadrant for the first angle projection.
- It is real projection system.
- First angle projection method is used in Europe, India, Canada and the rest of world as a default projection system.

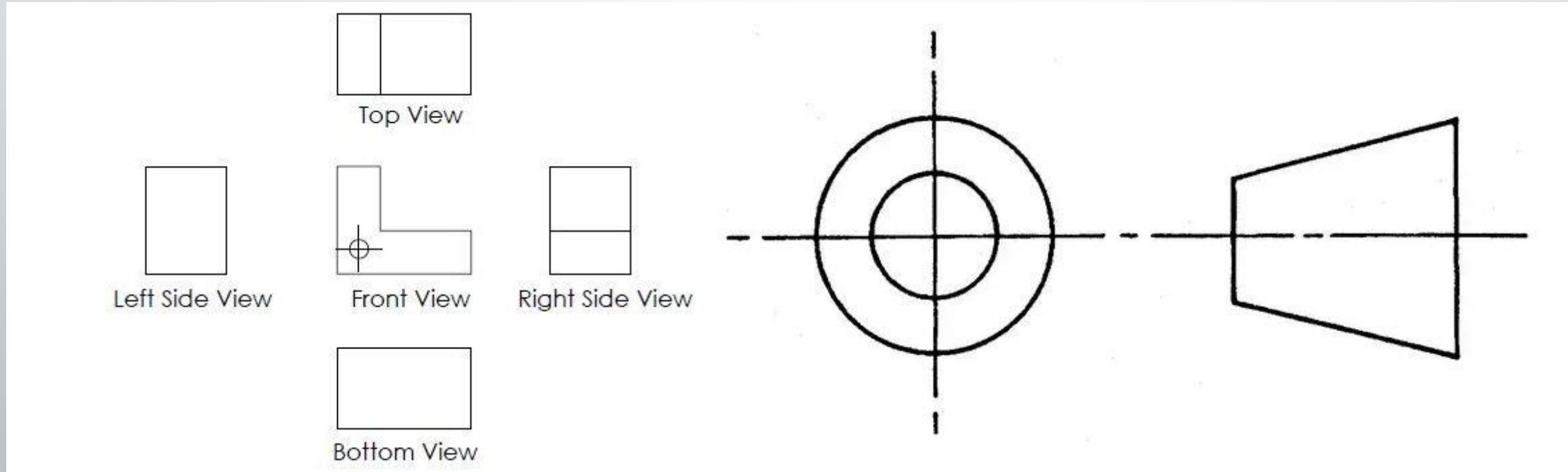
# First angle projection



# What is Third angle projection?

- The object is placed in the third quadrant for the third angle projection.
- It is an imaginary projection system.
- Third angle projection is used in Australia and United States as a default projection system for industrial designs for product fabrication.

# Third angle projection





Thank you!