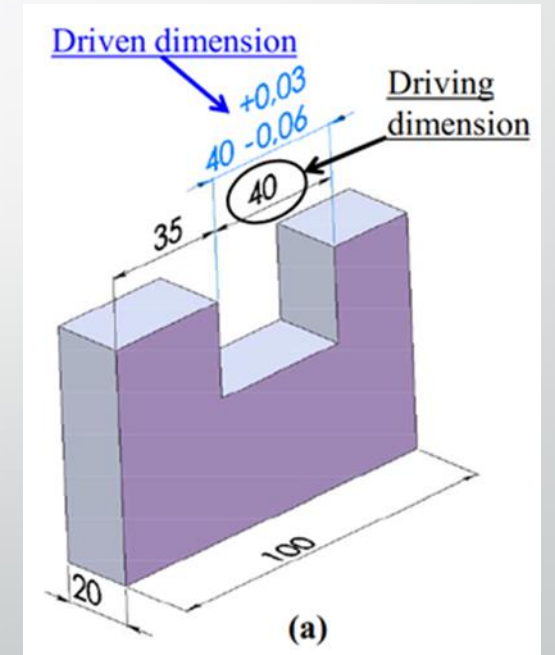


A decorative graphic in the top-left corner consisting of several overlapping, parallel lines in shades of blue and grey, forming a stylized corner or arrow shape.

Driving and Driven Dimensions

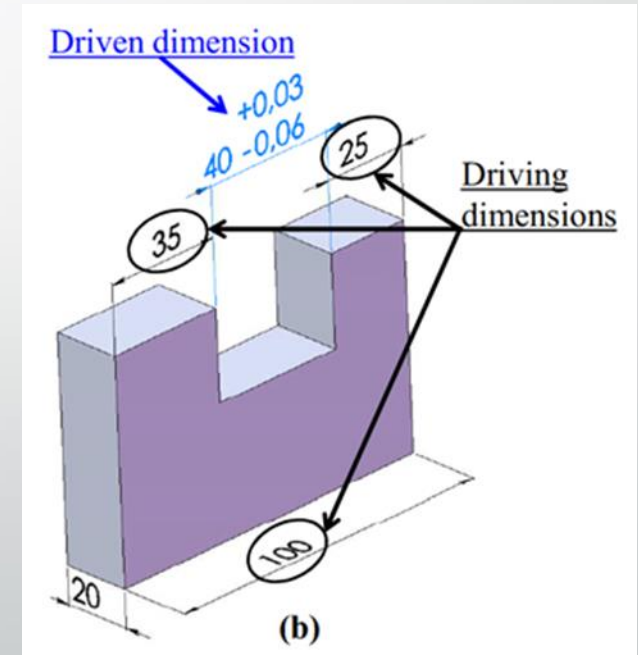
What is Driving dimension?

- The geometry is controlled by the dimension.
or
- A driving dimension drives the model
(change the dimension => change the model)



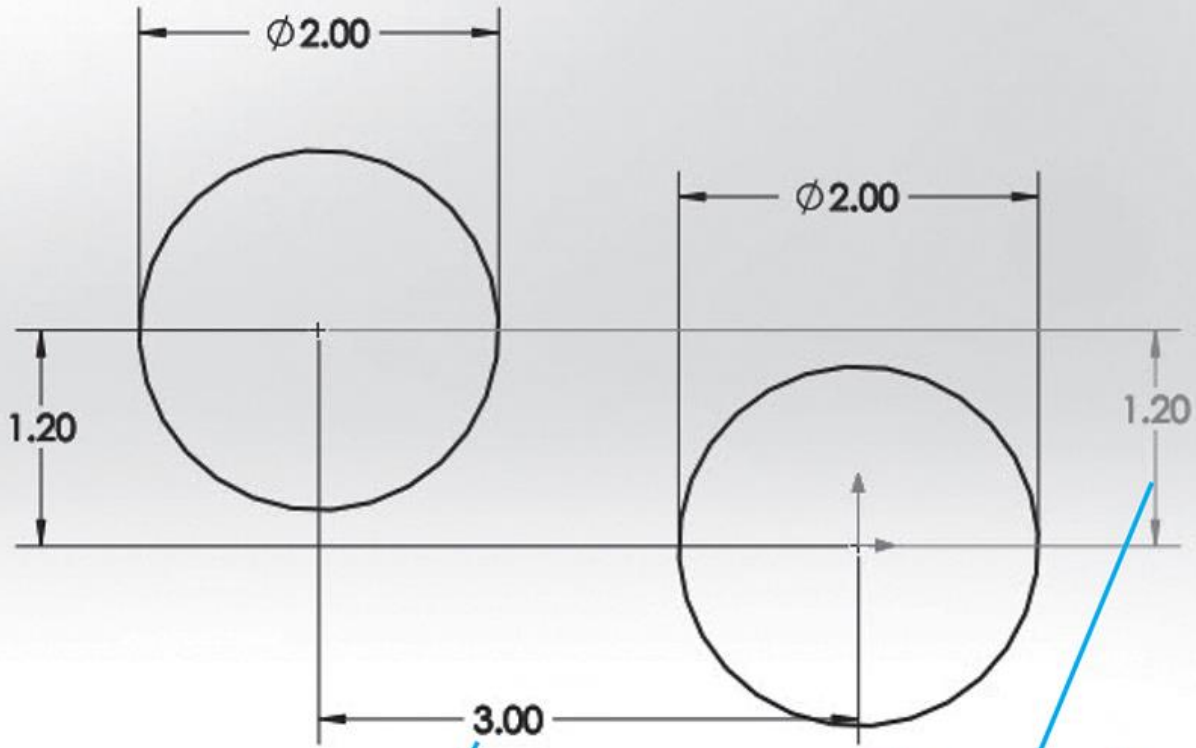
What is Driven dimension?

- The dimension is controlled by the geometry.
or
- A driven or reference dimension is driven by the model (change the model => change the dimension)



How to differentiate the driven dimension and driving dimension in drawings

- By default settings only you can determine if a dimension is driven dimension or driving dimension. A driven dimension will be grey in color and a driving dimension is completely black in color.



Black indicates a driving dimension

This is now a driven dimension. It is gray in color

Driving and Driven Dimensions



Thank you!