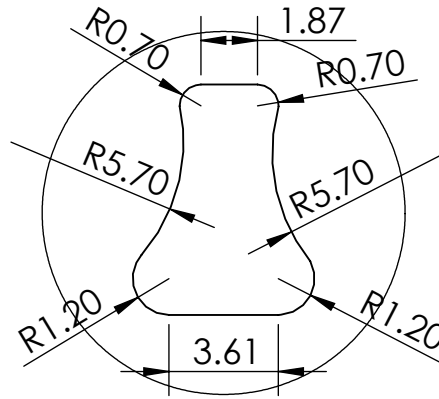
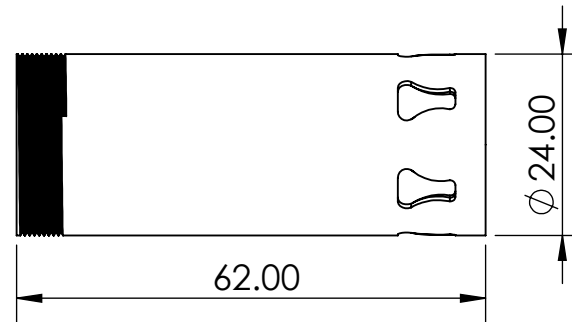
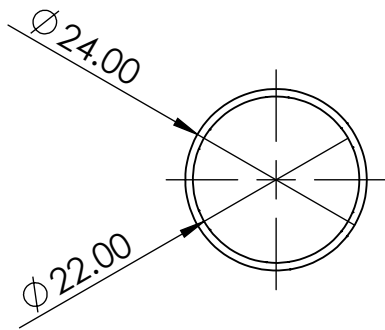
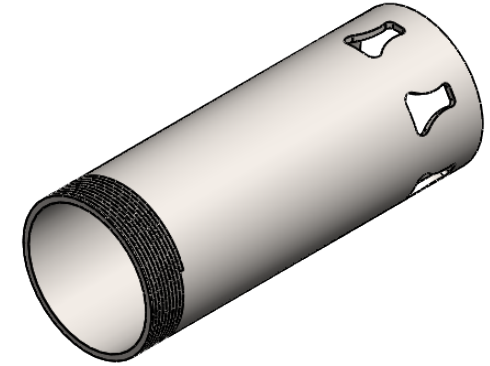


Threaded 40 TPI


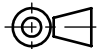


DETAIL A

SCALE 4 : 1



All Dimensions are in MM.

 www.mrdesignerpro.weebly.com	Part Name: Sleeve	Finish:	Approx Weight: 32.82 Kg
	Assembly Name: Engine	Drawing Scale: 1:1	Part Number: -
Projection Method: THIRD ANGLE 	Sheet Size: A4	Drawn by: Mr. Designer	Material: Cast Carbon Steel
		Sheet: 1 of 1	Revision:

A

B

C

D