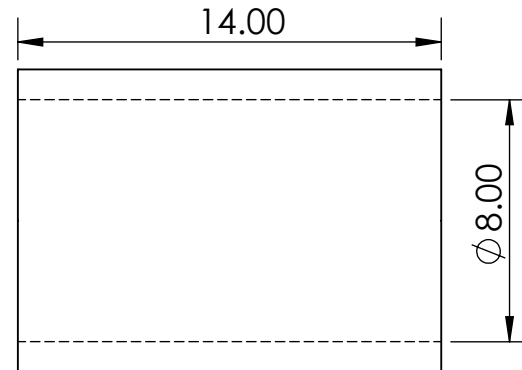
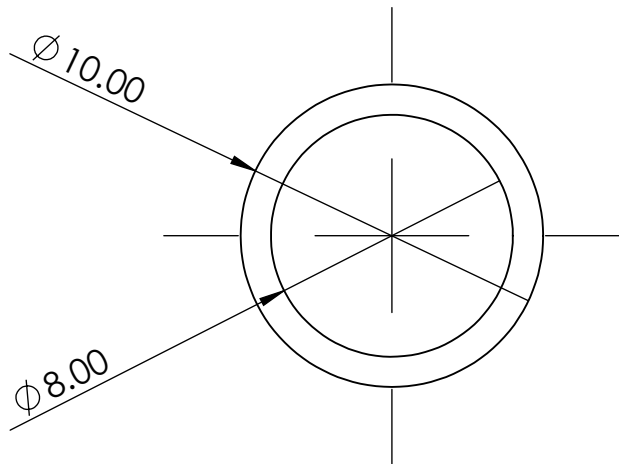
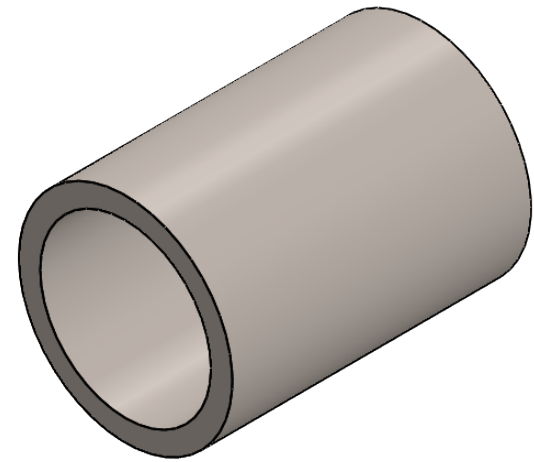
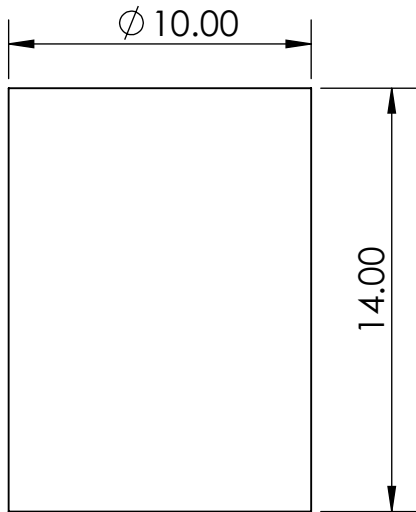




1 2 3 4 5 6



All Dimensions are in MM.

 www.mrdesignerpro.weebly.com	Part Name: Stud Intake & Exhaust	Finish:	Approx Weight: 3.05 Kg
	Assembly Name: Engine	Drawing Scale: 4:1	Part Number: -
Projection Method: THIRD ANGLE 	Sheet Size: A4	Drawn by: Mr. Designer	Material: Alloy Steel
		Sheet: 1 of 1	Revision:

A

B

C

D