

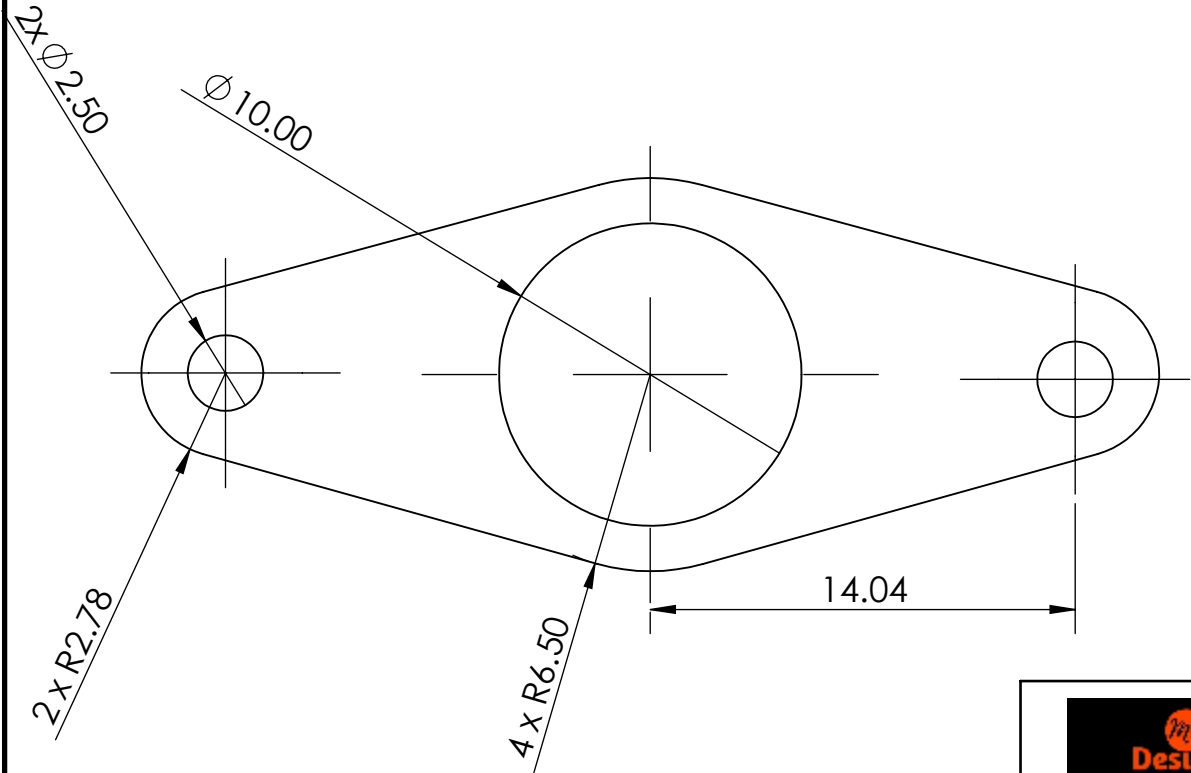
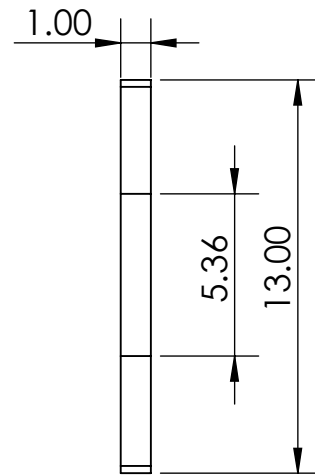
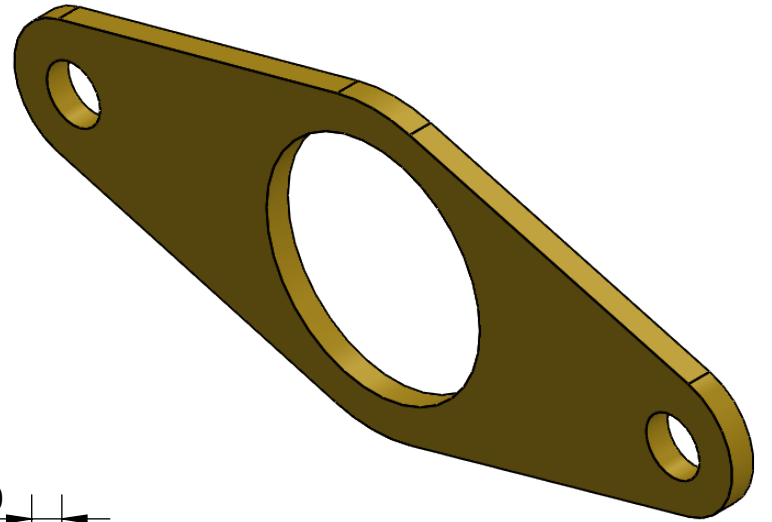
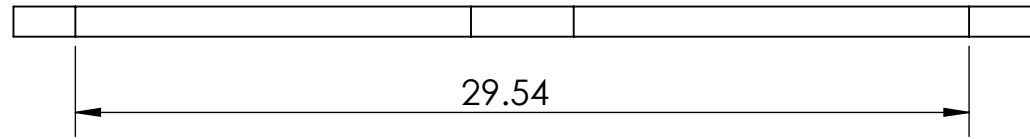
1 2 3 4 5 6

A


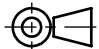
B

C

D



All Dimensions are in MM.

 www.mrdesignerpro.weebly.com	Part Name: Exhaust Flange	Finish:	Approx Weight: 1.75 Kg		
	Assembly Name: Engine	Drawing Scale: 4:1	Part Number: -		
Projection Method: THIRD ANGLE 	Sheet Size: A4	Drawn by: Mr. Designer	Material: Brass	Sheet: 1 of 1	Revision: