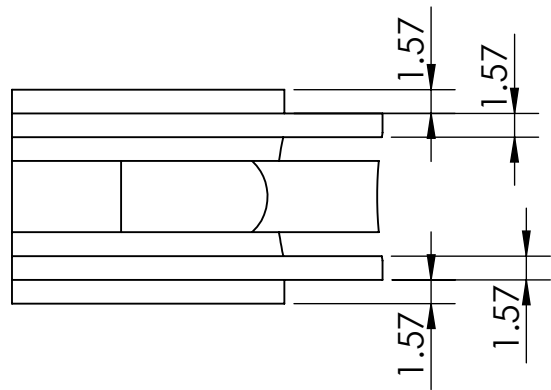
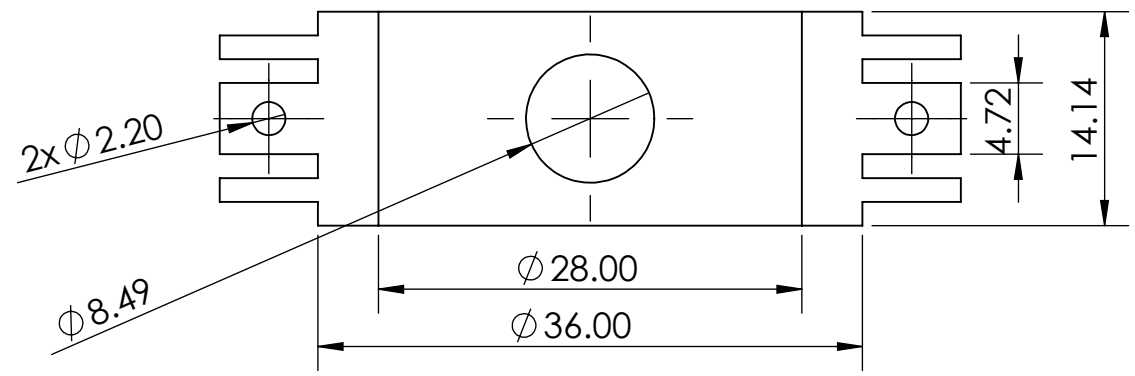
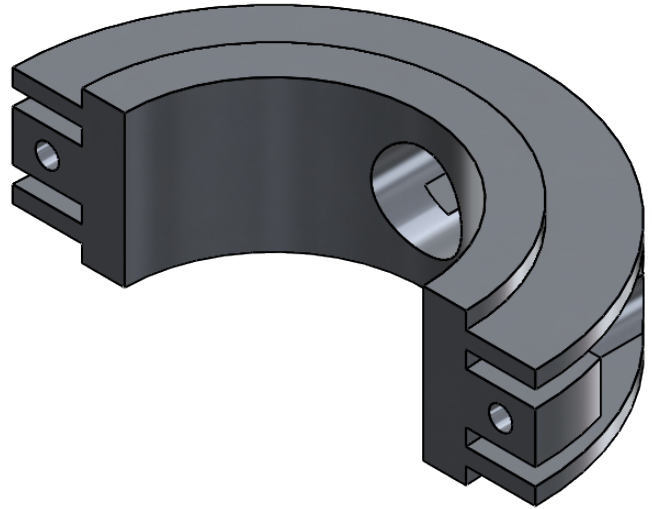
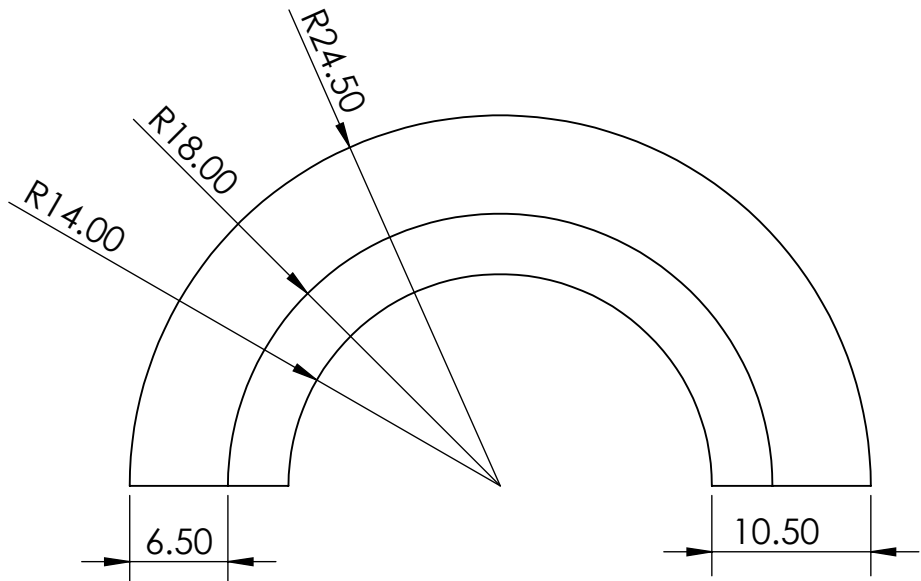

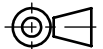


1 2 3 4 5 6



All Dimensions are in MM.

www.mrdesignerpro.weebly.com

 www.mrdesignerpro.weebly.com	Part Name: Intake Manifold	Finish:	Approx Weight: 14.67 Kg
	Assembly Name: Engine	Drawing Scale: 2:1	Part Number: -
Projection Method: THIRD ANGLE 	Sheet Size: A4	Drawn by: Mr. Designer	Material: 6061-T6 (SS)
		Sheet: 1 of 1	Revision:

A
B
C
D