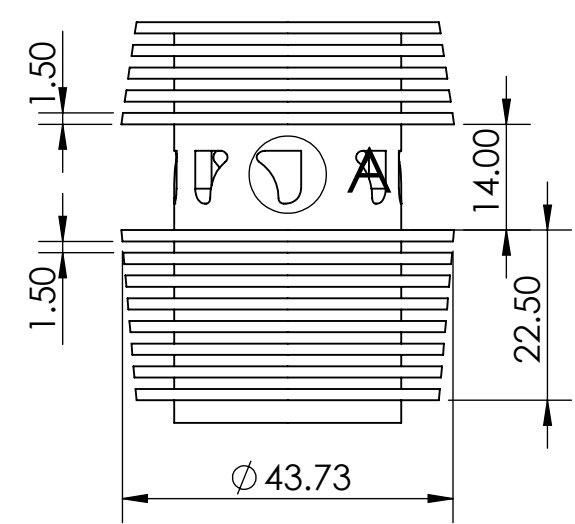
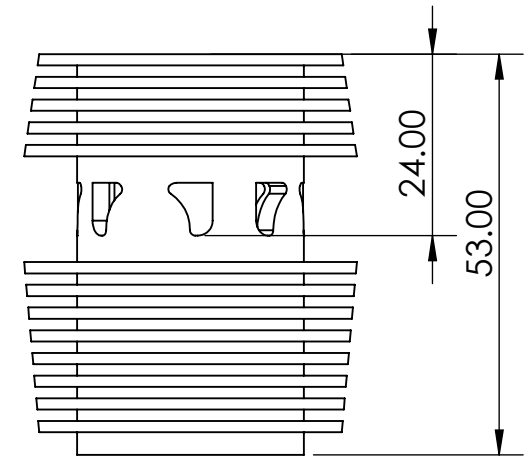
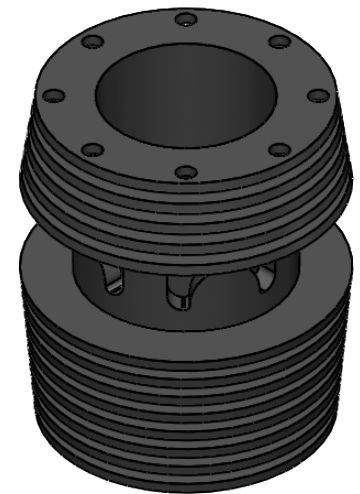
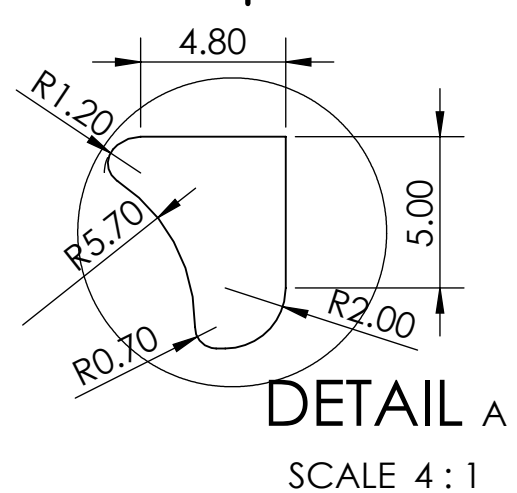
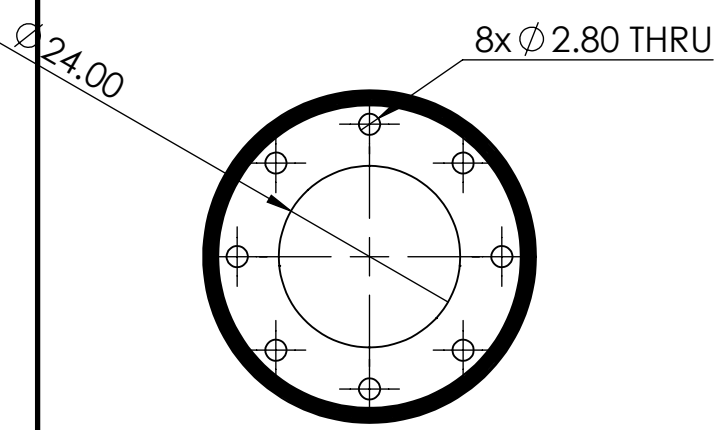

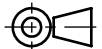


1 2 3 4 5 6



A
 B
 C

All Dimensions are in MM.

 www.mrdesignerpro.weebly.com	Part Name: Cylinder	Finish:	Approx Weight: 187.21 Kg		
	Assembly Name: Engine	Drawing Scale: 1:1	Part Number: -		
Projection Method: THIRD ANGLE 	Sheet Size: A4	Drawn by: Mr. Designer	Material: Gray Cast Iron	Sheet: 1 of 1	Revision:

D