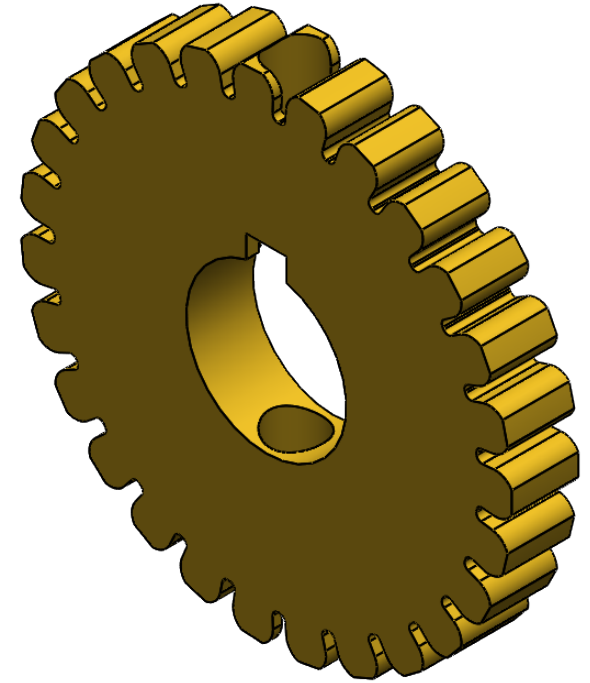
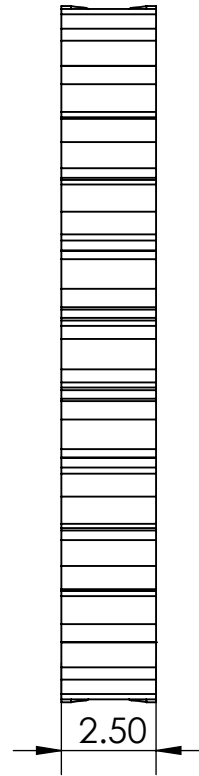
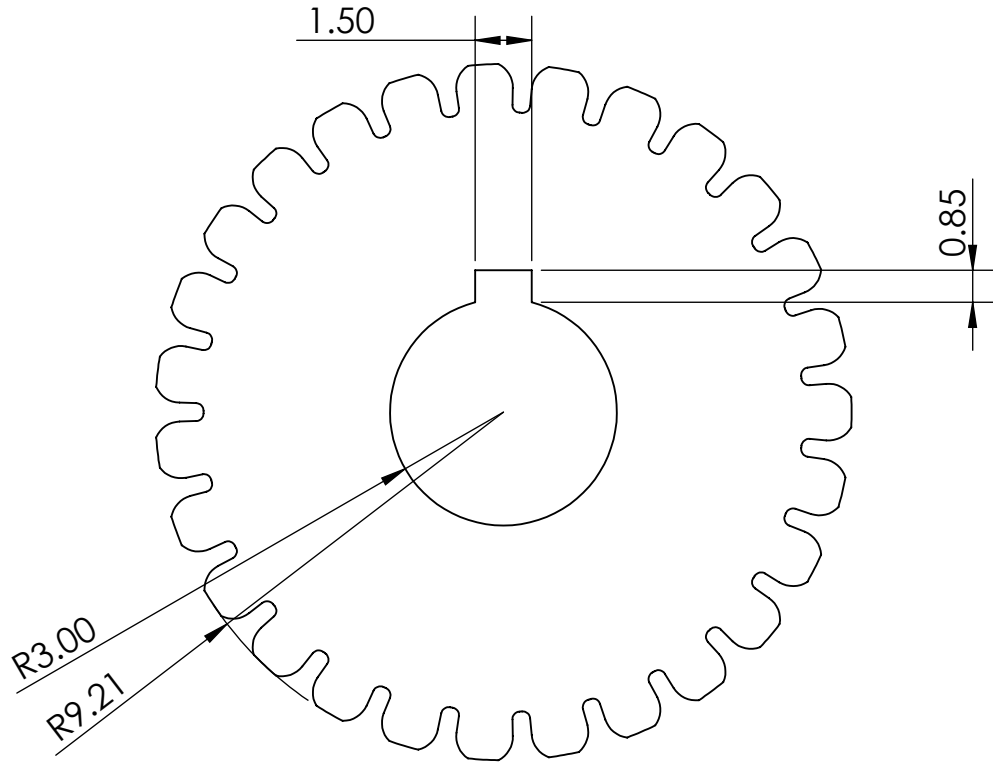
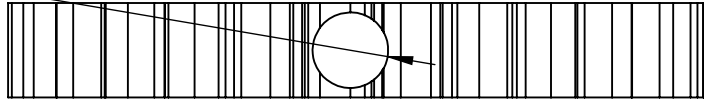


R1.00Thru





A  
B  
C

All Dimensions are in MM.

NOTE: PCD= 17.142,  
OD=18.415  
DP 40, 27-T

www.mrdesignerpro.weebly.com

 www.mrdesignerpro.weebly.com	Part Name: <b>Magneto Drive Gear</b>	Finish:	Approx Weight: <b>4.30</b> Kg	
	Assembly Name: <b>Engine</b>	Drawing Scale: <b>5:1</b>	Part Number: -	
Projection Method: <b>THIRD ANGLE</b> 	Sheet Size: <b>A4</b>	Drawn by: <b>Mr. Designer</b>	Material: <b>Brass</b>	Sheet: <b>1 of 1</b>
			Revision:	

D