

1

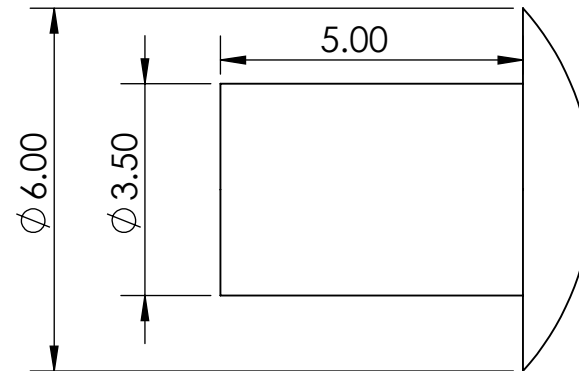
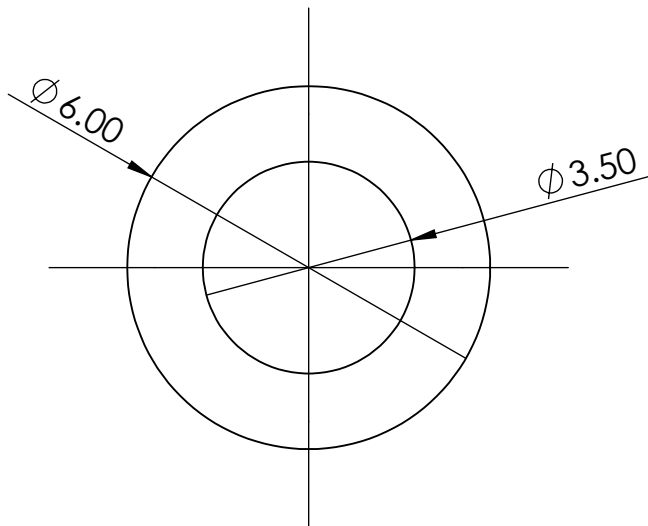
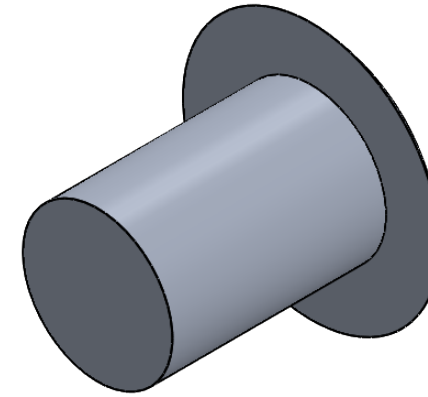
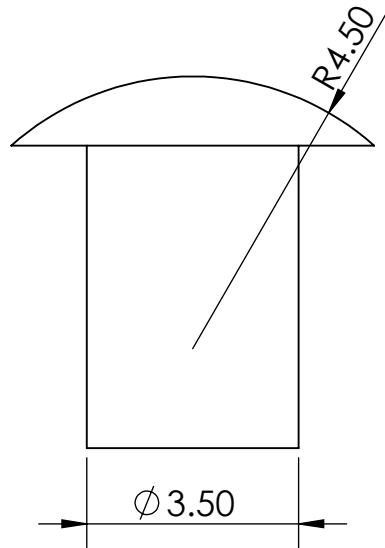
2

3

4



5

6



All Dimensions are in MM.

www.mrdesignerpro.weebly.com

 <a href="http://www.mrdesignerpro.weebly.com">www.mrdesignerpro.weebly.com</a>	Part Name: <b>End Caps</b>	Finish:	Approx Weight: <b>0.18</b> Kg		
	Assembly Name: <b>Engine</b>	Drawing Scale: <b>8:1</b>	Part Number: -		
Projection Method: <b>THIRD ANGLE</b> 	Sheet Size: <b>A4</b>	Drawn by: <b>Mr. Designer</b>	Material: <b>1060 Alloy</b>	Sheet: <b>1 of 1</b>	Revision:

A

B

C

D