

1

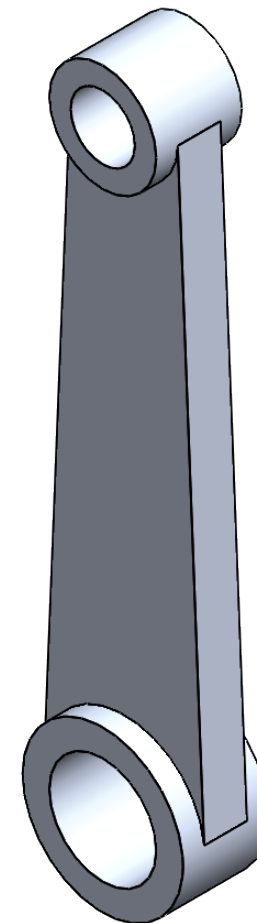
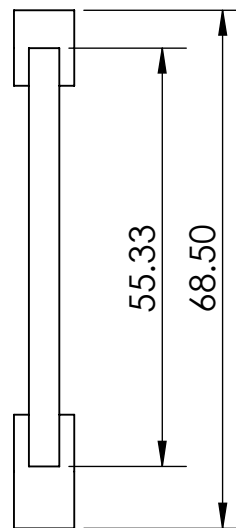
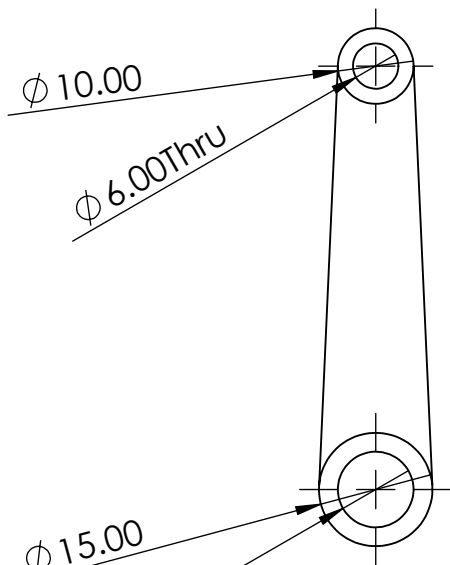
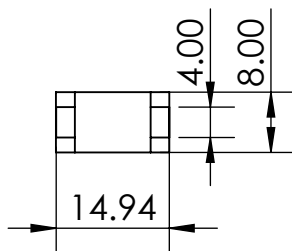
2

3

4

5

6





A

B

C

All Dimensions are in MM.

 www.mrdesignerpro.weebly.com	Part Name: Connecting Rod	Finish:	Approx Weight: 9.60 Kg		
	Assembly Name: Engine	Drawing Scale: 1:1	Part Number: -		
Projection Method: THIRD ANGLE 	Sheet Size: A4	Drawn by: Mr. Designer	Material: 2618-T61 (SS)	Sheet: 1 of 1	Revision:

D