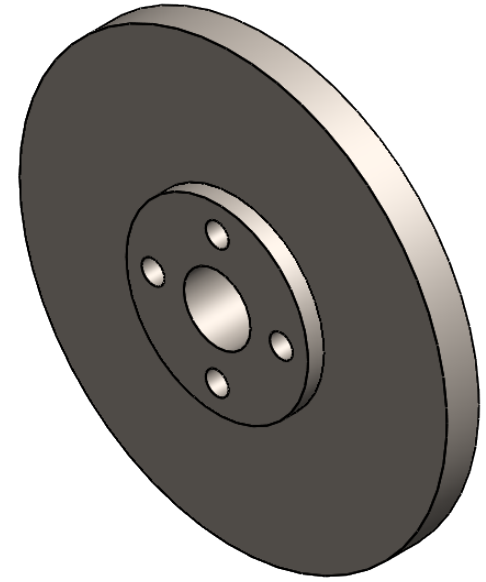
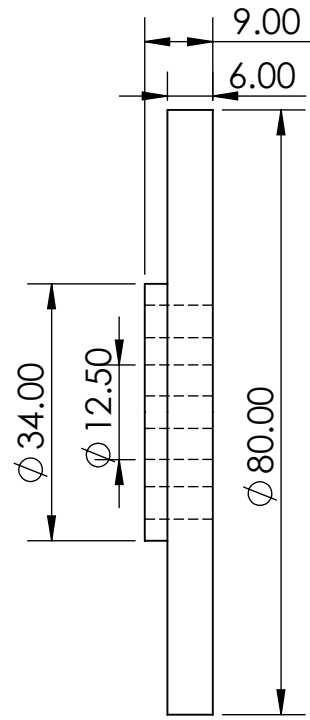
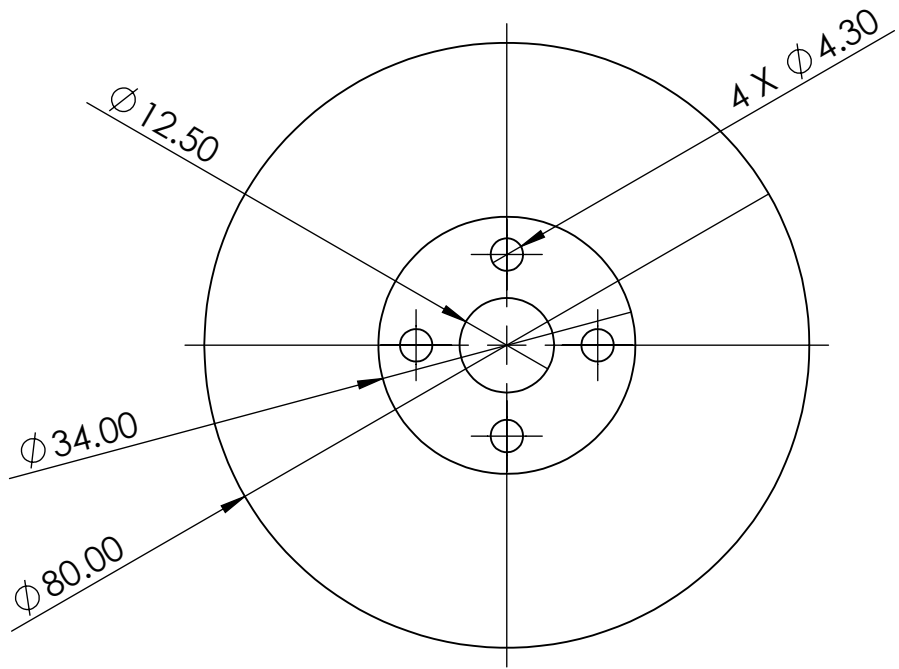
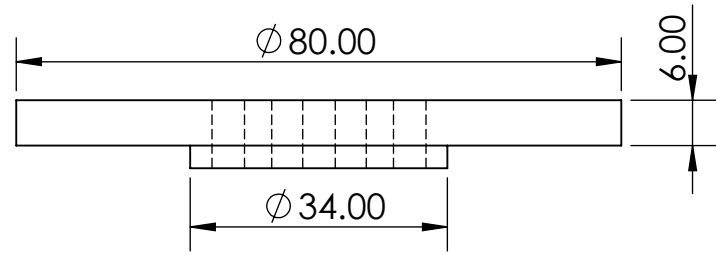



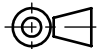
1 2 3 4 5 6



A
B
C

All Dimensions are in MM.

www.mrdesignerpro.weebly.com

 www.mrdesignerpro.weebly.com	Part Name: Plain Carbon Steel	Finish:	Approx Weight: 245.61 Kg		
	Assembly Name: Engine	Drawing Scale: 1:1	Part Number: -		
Projection Method: THIRD ANGLE 	Sheet Size: A4	Drawn by: Mr. Designer	Material: 1023 Carbon Steel Sheet (SS)	Sheet: 1 of 1	Revision:

D