

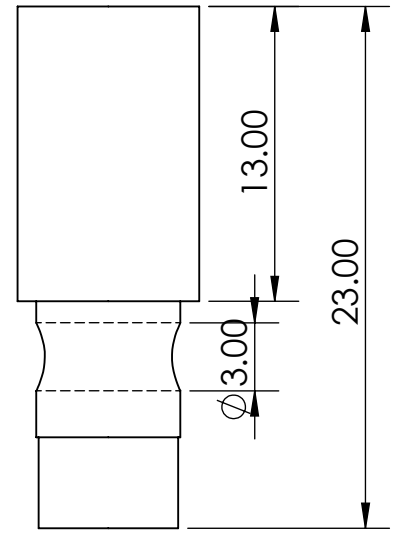
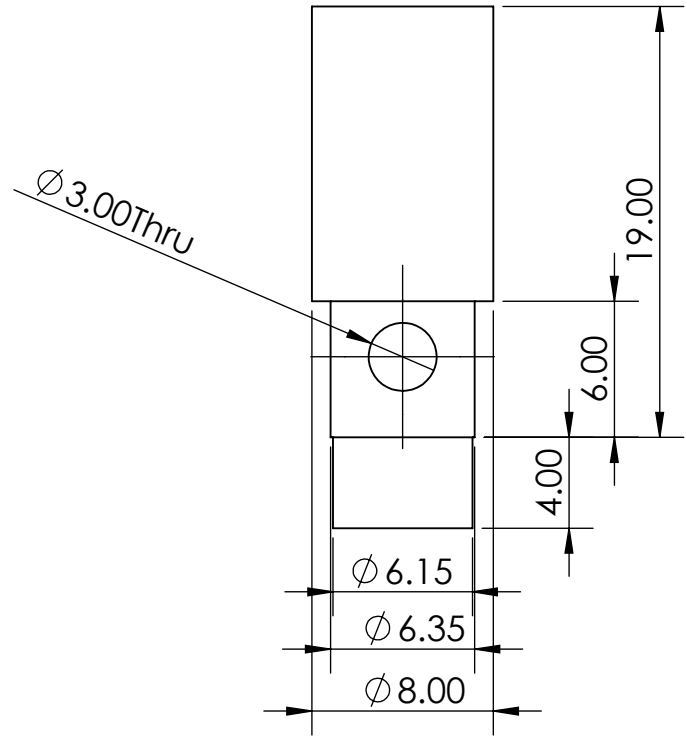
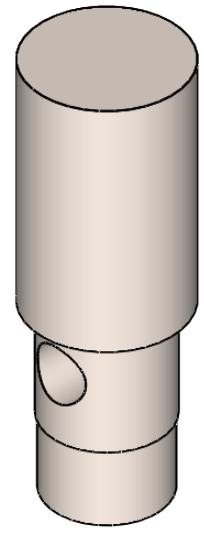
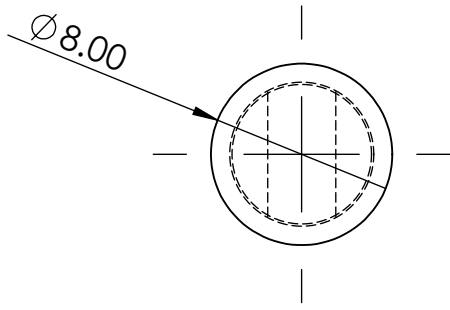
1 2 3 4 5 6

A

B



C

D



All Dimensions are in MM.

www.mrdesignerpro.weebly.com

 www.mrdesignerpro.weebly.com	Part Name: Rear Shaft	Finish:	Approx Weight: 7.07 Kg
	Assembly Name: Engine	Drawing Scale: 3:1	Part Number: -
Projection Method: THIRD ANGLE 	Sheet Size: A4	Drawn by: Mr. Designer	Material: Alloy Steel
		Sheet: 1 of 1	Revision: