

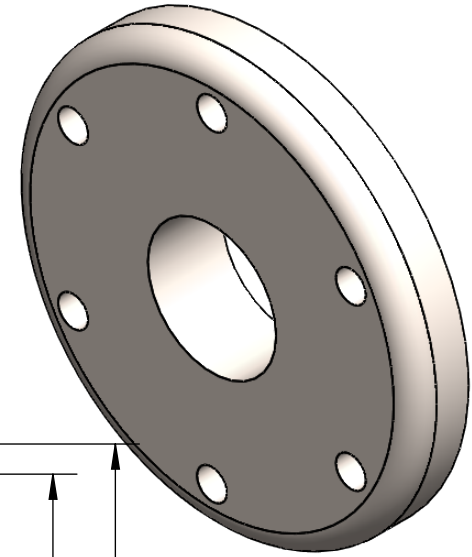
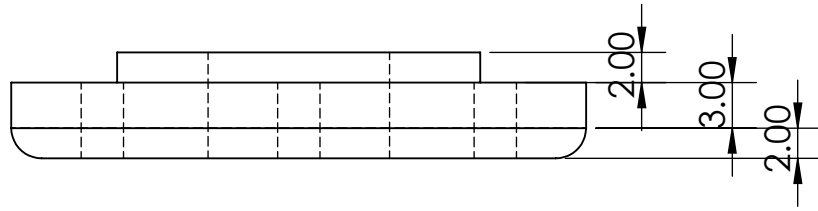
1 2 3 4 5 6

A

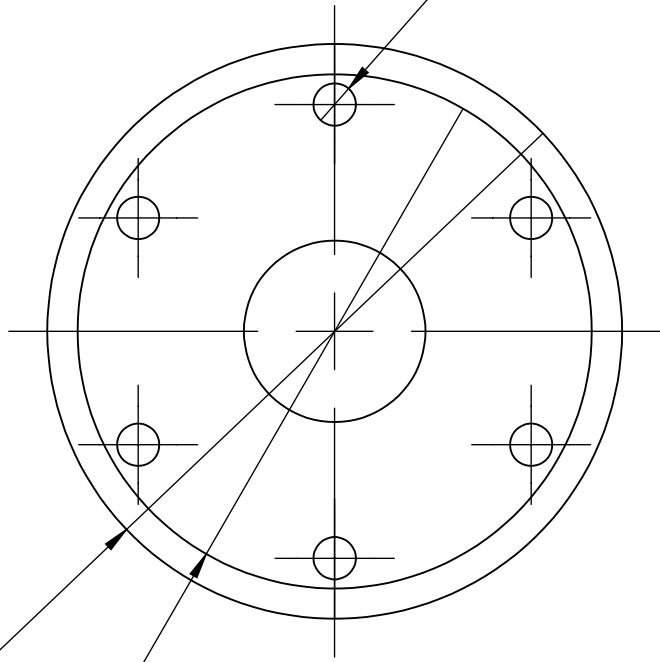
B

C

D

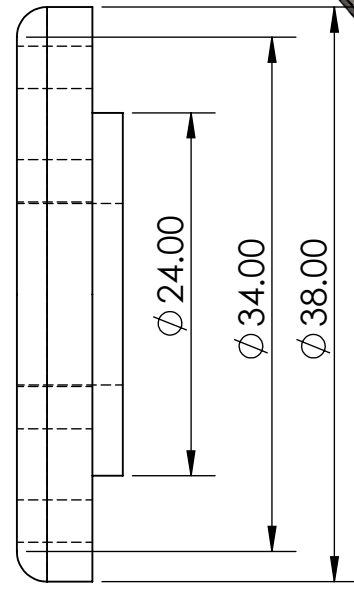


6x ϕ 2.80 THRU PCD 30mm





ϕ 38.00

ϕ 34.00



All Dimensions are in MM.

www.mrdesignerpro.weebly.com

 www.mrdesignerpro.weebly.com	Part Name: Case Front Cover	Finish:	Approx Weight: 42.34 Kg
	Assembly Name: Engine	Drawing Scale: 2:1	Part Number: -#AS01SA02PA03
Projection Method: THIRD ANGLE 	Sheet Size: A4	Drawn by: Mr. Designer	Material: Alloy Steel
		Sheet: 1 of 1	Revision: