

1

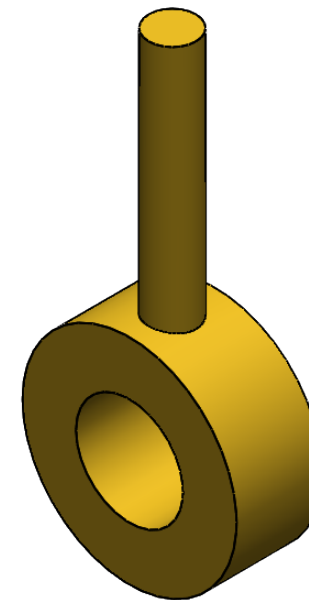
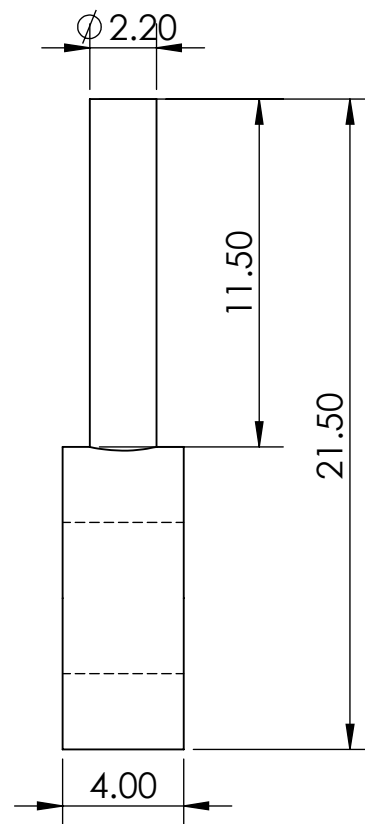
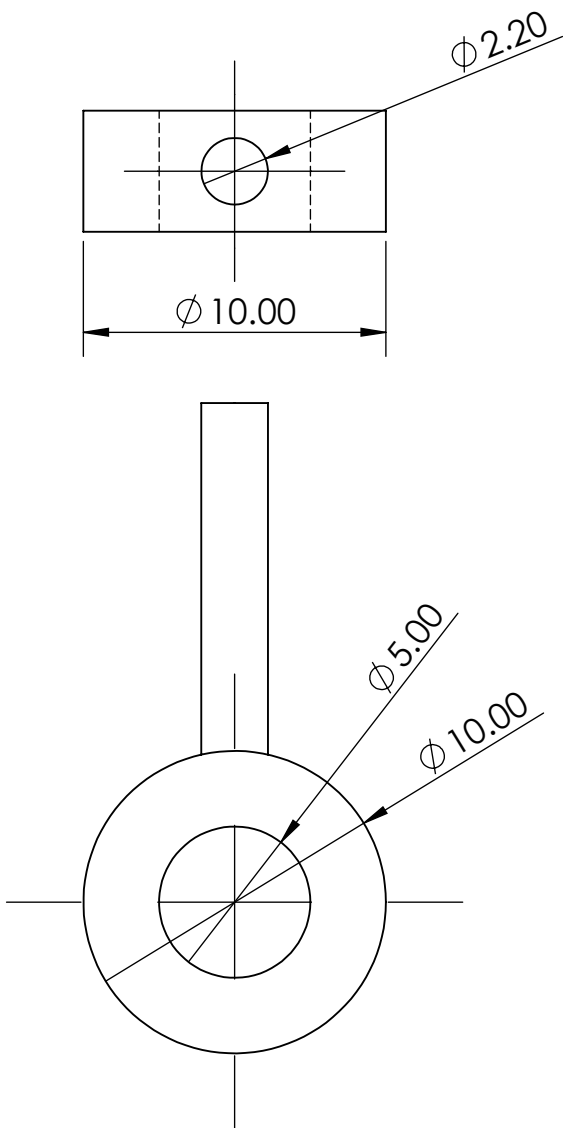
2

3


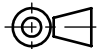
4

5

6



All Dimensions are in MM.

|   |                                      |                                  |                                  |                         |           |
|---|--------------------------------------|----------------------------------|----------------------------------|-------------------------|-----------|
| <br><a href="http://www.mrdesignerpro.weebly.com">www.mrdesignerpro.weebly.com</a> | Part Name:<br><b>Throttlet Lever</b> | Finish:                          | Approx Weight:<br><b>2.38</b> Kg |                         |           |
|   | Assembly Name:<br><b>Engine</b>      | Drawing Scale:<br><b>4:1</b>     | Part Number:<br>-#AS01SA01PA05   |                         |           |
| Projection Method:<br><b>THIRD ANGLE</b><br>                                       | Sheet Size:<br><b>A4</b>             | Drawn by:<br><b>Mr. Designer</b> | Material:<br><b>Brass</b>        | Sheet:<br><b>1 of 1</b> | Revision: |

A

B

C

D